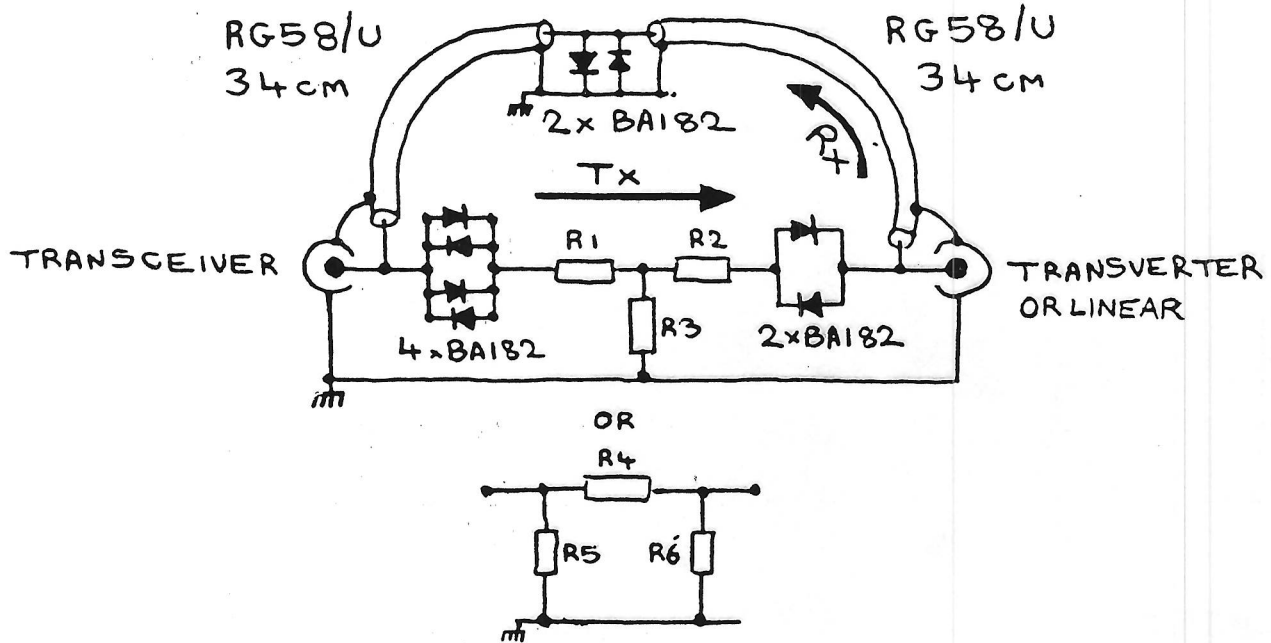


TRANSVERTER DRIVE SWITCHING by LA8AK

The following circuit, although designed by LA8AK was included in the January issue of IVUS-EA, a specialist VHF newsletter edited by EA3LL. Unfortunately it is written in Spanish! However the design is self explanatory and you should have no trouble understanding what is going on.



ATTENUATION dB	R1 = R2 (R4)	R3 (R5 = R6)	OUTPUT POWER	
			FOR 10W I/P	FOR 2W I/P
3	8.2 ohm (18)	150 (330)	5 W	1W
4	12 (220)	100 (22)	4 W	800 mW
5	15 (33)	82 (180)	3 W	600 mW
6	18	68	2.5 W	500 mW
8	22 (56)	47 (120)	1.6 W	320 mW
10	27 (68)	35 (100)	1 W	200 mW
12	30	27	0.6 W	120 mW

Power Reduction Device

This should enable some of the high power merchants to reduce their power into the Satellites without too much brain damage.